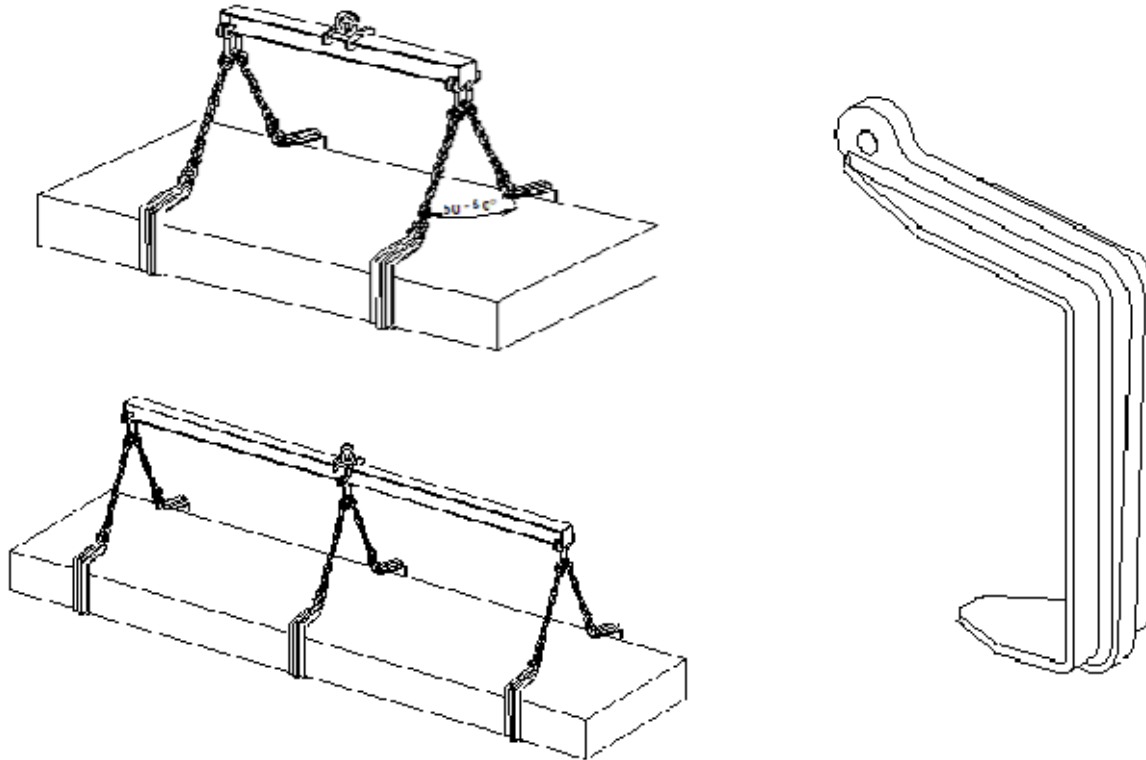


## APPLICATIONS

Lifting of horizontal plates (individual or bundles).



## DESCRIPTION

These accessories allow handling thick loads thanks to their opening up to 300 mm. Slings not provided.

## FUNCTIONING

Use in 4s with two 2-legged slings and lifting beam.

Place the load into the hooks, distributing them evenly and perform lifting.

## IMPORTANT INSTRUCTIONS

- The load must always be driven home into the throat of the hook.
- Adhere to a sling angle included between 50° and 60° (ie ½ sling angle included between 25° and 30°).
- Do not separate sheets with the hooks' end.
- Working temperature: -20° to +100°C.

## GENERAL CHARACTERISTICS

- Manufactured without load bearing welds.
- Hot epoxy coating.
- Safety factor: 3 in accordance with the EN 13155.2003 norm.
- Product conforms to the French regulation, in particular the decree of 01/03/2004 relating to the check on lifting devices and the European Directive n°98/37.
- Product with EC marking and delivered with a declaration of conformity and instructions for use.

## DIMENSIONAL CHARACTERISTICS

HR shackles to be used	Ref.	Group code	WLL/ pair kg	Opening	A	B	C	E	F	G	H	I	J	Sling angle		Min chain * $\varnothing$	Weight / pair kg
														min	max		
3t25	QS1,5 0-300	50678	1 500	300	279	20	387	128	22	22	20	100	20	50°	60°	8	14
3t25	QS3 0-300	50688	3 000	300	305	20	410	120	40	40	20	100	20	50°	60°	10	20
4t75	QS6 0-300	50698	6 000	300	380	25	410	120	50	50	26	100	25	50°	60°	13	30

\* provide a 2-legged chain sling grade 80 per pair of hooks

Dimensions in mm

