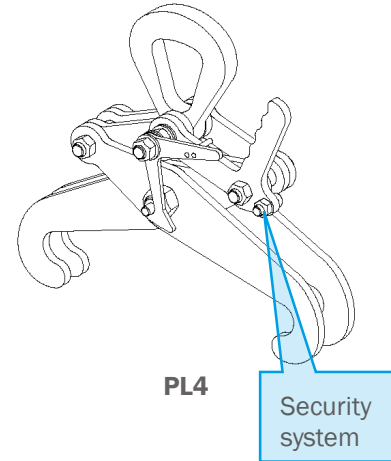
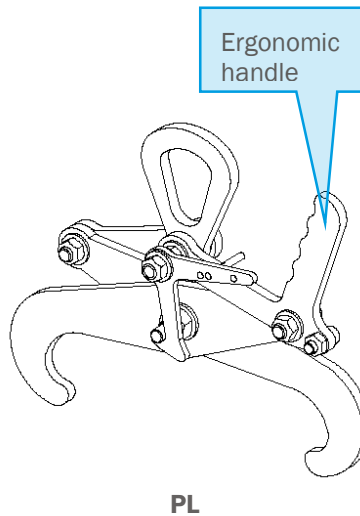
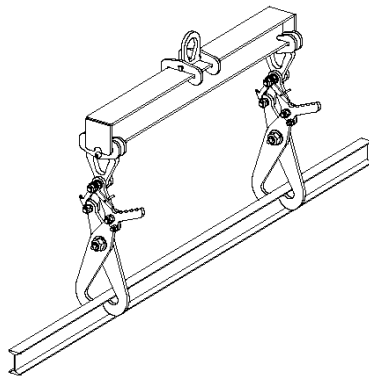


Applications

Lifting of I or H-profiled girders...



Description

These accessories are fitted with an open position locking system allowing to lay down the load without any intervention on the clamp.

NEW : these clamps come with an ergonomic handle and a security screw in order to avoid the complete closure of the clamps' arms to protect the worker's hands/fingers

Nevertheless, it is still forbidden to place the hands inside the parallelogram but the risks of not following instructions are greatly reduced

Functioning

Place the clamp locked open over the profile. Lift up the lever while starting off the lift and hold it in the up position to prevent from locking again against the fastening screw. Lifting ensures proportional clamping, thus minimising load marking. When laying down, the clamp automatically locks itself open. Handles make the positioning easier.

Important instructions

- Only lift one profile at a time.
- Vertical traction only.
- Use in pairs with a lifting beam recommended.
- PL3: for any profile whose width exceeds 420 mm, the operator must locate the clamp sliding it from the profile end.
- It is possible to use this range of clamps on girders with a flange width less than the indicated one ; in this case, use in pairs with a lifting beam (clamping on profile's stem).
- Do not use inverted i.e. ring downwards (as fixing point): use GP beam clamps.
- Working temperature: -20° to +100°C.

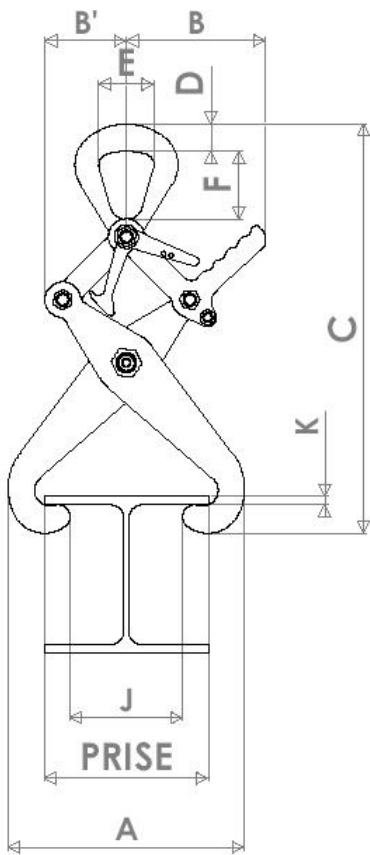
General characteristics

- Manufactured without load bearing welds.
- Hot epoxy coating.
- Safety factor: 3 in accordance with the EN 13155.2003 norm.
- Product conforms to the French regulation, in particular the decree of 01/03/2004 relating to the check on lifting devices and the European Directive n° 2006/42/CE.
- Product with EC marking and delivered with a declaration of conformity and instructions for use.

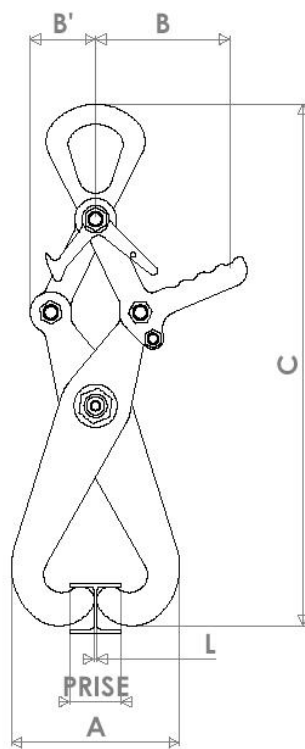
Dimensional characteristics

| Réf. | Group code | WLL t | Opening | | A | | B (handle) | | B' | | C | | D | E | F | G | H | I | J | K max for | | L | Weight kg | |
|-------------|------------|-------|---------|------|-------|------|------------|--------|-------|-------|------|------|-----|----|----|----|----|-----|----|------------------|--------------|----|-----------|----|
| | | | mini | maxi | mini | maxi | mini* | maxi** | mini* | maxi* | mini | maxi | | | | | | | | Mini opening | maxi opening | | | |
| | | | 1 | 2 | | | | | | | | | | | | | | | | | | | | |
| PL1-95-200 | 185328 | 1 | 95 | 46 | 200 | 182 | 348 | 166 | 174 | 73 | 135 | 284 | 504 | 18 | 52 | 69 | 12 | 95 | 22 | 230 | 46 | 48 | 3 | 4 |
| PL2-120-300 | 185338 | 2 | 120 | 55 | 300 | 196 | 462 | 167 | 176 | 76 | 140 | 348 | 604 | 23 | 64 | 80 | 20 | 119 | 50 | 330 | 30 | 30 | 3 | 8 |
| PL3-180-450 | 185348 | 3 | 180 | 64 | 450** | 296 | 627 | 200 | 205 | 102 | 182 | 435 | 768 | 36 | 74 | 92 | 25 | 143 | 61 | 420 ^a | 23 | 56 | 3 | 16 |
| PL4-120-300 | 185358 | 4 | 120 | 55 | 300 | 196 | 444 | 173 | 173 | 75 | 139 | 398 | 622 | 36 | 74 | 92 | 25 | 147 | 74 | 310 | 30 | 30 | 3 | 14 |

* PL3 model: for any profile whose flange width (dimension "opening" on drawings) exceeds 420 mm the operator must locate the clamp sliding it from the profile end. Dimensions in mm



CASE 1 : clamping on the girder's flange



CAS 2 : clamping on the girder's web

