

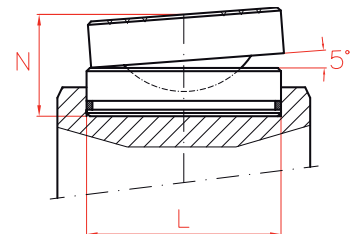
**SADDLES**



**TILTING SADDLES AZ04**

- ✓ Recommended for high side load applications.
- ✓ These saddles allow up to 5° tilt angle.
- ✓ Push-in or threaded to suit different cylinder models.

**AZ04 TILTING SADDLES**



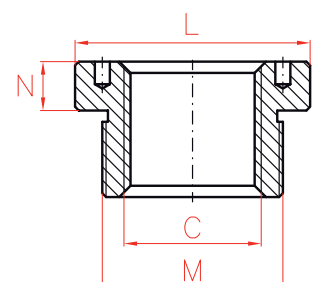
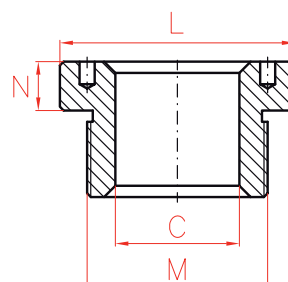
**HOLLOW SADDLES AZ05**

- ✓ Used in hollow piston cylinders.
- ✓ Especially used in pulling operations and as support.
- ✓ These saddles can be plain, threaded or solid.

**AZ05 HOLLOW SADDLES**

Standard Plain

Optional Internal Thread



SADDLES



Type **AZ04 - AZ05**

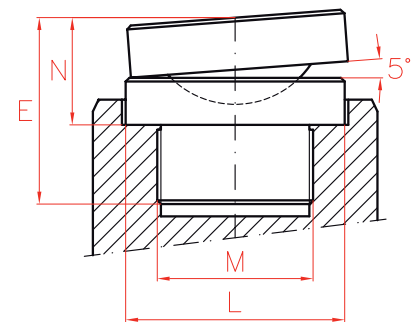
Capacity -

Max. pressure **700 bar**

**THREADED TILTING SADDLES**

| Model  | L   | M           | N  | E   | Weight | Cylinder Model            |
|--------|-----|-------------|----|-----|--------|---------------------------|
| LARZEP | mm  |             | mm | mm  | kg     |                           |
| AZ0420 | 28  | 1"-8        | 29 | 43  | 0,2    | SM010-D010                |
| AZ0423 | 35  | 1"-8        | 29 | 49  | 0,3    | SM015-D020                |
| AZ0421 | 45  | 1 1/2"-16   | 28 | 50  | 0,4    | SM023-SM030-D030          |
| AZ0422 | 61  | 1 3/4"-12   | 38 | 58  | 0,7    | D050-D075-D100            |
| AZ0424 | 88  | 2 1/2"-12   | 47 | 82  | 2,5    | D150                      |
| AZ0425 | 111 | 2 1/2"-12   | 52 | 107 | 4,5    | D200                      |
| AZ0431 | 34  | M28x1,5     | 29 | 44  | 0,3    | SH012                     |
| AZ0432 | 48  | 1 9/16"-16  | 29 | 46  | 0,5    | SH022                     |
| AZ0433 | 55  | 1 13/16"-16 | 37 | 57  | 0,6    | SH030-SAH030-DH030-DAH030 |
| AZ0434 | 80  | 2 3/4"-16   | 47 | 67  | 2,3    | SH060-SAH060-DH060-DAH060 |
| AZ0435 | 116 | 2 1/2"-12   | 52 | 76  | 5,5    | SH100-SAH100-DH100-DAH100 |

**AZ04 THREADED TILTING SADDLES**



**TILTING SADDLES**

| Model  | L   | N   | Weight | Cylinder Model   |
|--------|-----|-----|--------|--|
| LARZEP | mm  | mm  | kg     |  |
| AZ0401 | 45  | 36  | 0,4    | SAM023-SAM030-SP030-SMP030-STR030-SAT030-SATM030   |
| AZ0402 | 61  | 39  | 0,8    | SM050-SM075-SAM050-SP050-SMP050-SX050-SX075-STR050-SAT050-SATM050-DDA050-DDA075-DDR050   |
| AZ0404 | 88  | 47  | 2,2    | SM100-SM140-SAM100-SAM140-SP100-SMP100-SPR140-SX100-SX150-STR100-STR140 SAT100-SAT140-SATM100-SATM140-SSR140-DDA100-DDA140-DDR100-DDR140 |
| AZ0405 | 111 | 52  | 4,0    | SM220-SAM200-SPR220-STR220-SAT200-SATM200-SSR220-DDA200-DDR220   |
| AZ0408 | 178 | 67  | 13,0   | SPR350-SPR430-STR350-STR430-SSR350-SSR430-DDR350-DDR430  |
| AZ0411 | 200 | 79  | 19,3   | SPR560-SPR670-STR560-STR670-SSR560-SSR670-DDR560-DDR670  |
| AZ0413 | 250 | 105 | 40,0   | SPR880-STR880-SSR880-DDR880  |
| AZ0415 | 325 | 175 | 113,0  | SPR1100-STR1100-SSR1100-DDR1100  |

**HOLLOW SADDLES**

| Standard Plain |      |     |             |    | Cylinder Model            | Optional Threaded |              |     |             |    |
|----------------|------|-----|-------------|----|---------------------------|-------------------|--------------|-----|-------------|----|
| Model          | C    | L   | M           | N  |                           | Model             | C            | L   | M           | N  |
| LARZEP         | mm   | mm  |             | mm |                           | LARZEP            |              | mm  |             | mm |
| AZ0531         | 19,5 | 34  | M28x1,5     | 7  | SH012                     | AZ0551            | 3/4"-16      | 34  | M28x1,5     | 7  |
| AZ0532         | 27,0 | 48  | 1 9/16"-16  | 8  | SH022-SAH022              | AZ0552            | 1"-8         | 48  | 1 9/16"-16  | 8  |
| AZ0533         | 33,4 | 55  | 1 13/16"-16 | 9  | SH030-SAH030-DH030-DAH030 | AZ0553            | 1 1/4"-7     | 55  | 1 13/16"-16 | 9  |
| AZ0536         | 56,0 | 80  | 2 3/4"-16   | 12 | SH060-SAH060-DH060-DAH060 | AZ0556            | 1 5/8"-5 1/2 | 80  | 2 3/4"-16   | 12 |
| AZ0540         | 81,0 | 116 | 4"-16       | 13 | SH100-SAH100-DH100-DAH100 | AZ0560            | 2 1/2"-8     | 116 | 4"-16       | 13 |
| AZ0545         | 81,0 | 135 | 4 1/4"-16   | 20 | DH150-DAH150              | AZ0565            | 2 1/2"-8     | 135 | 4 1/4"-16   | 20 |